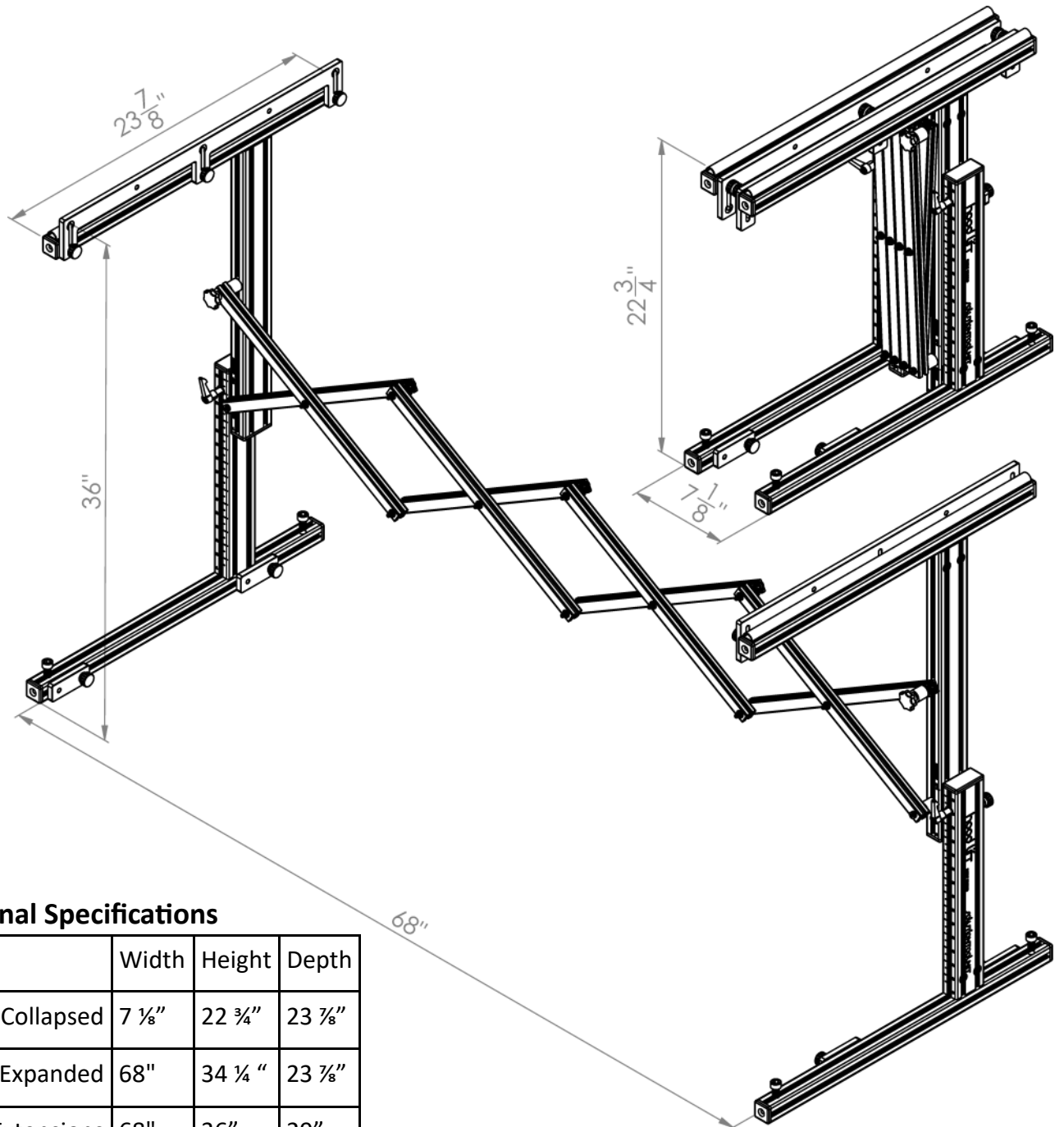


# solution TOOL

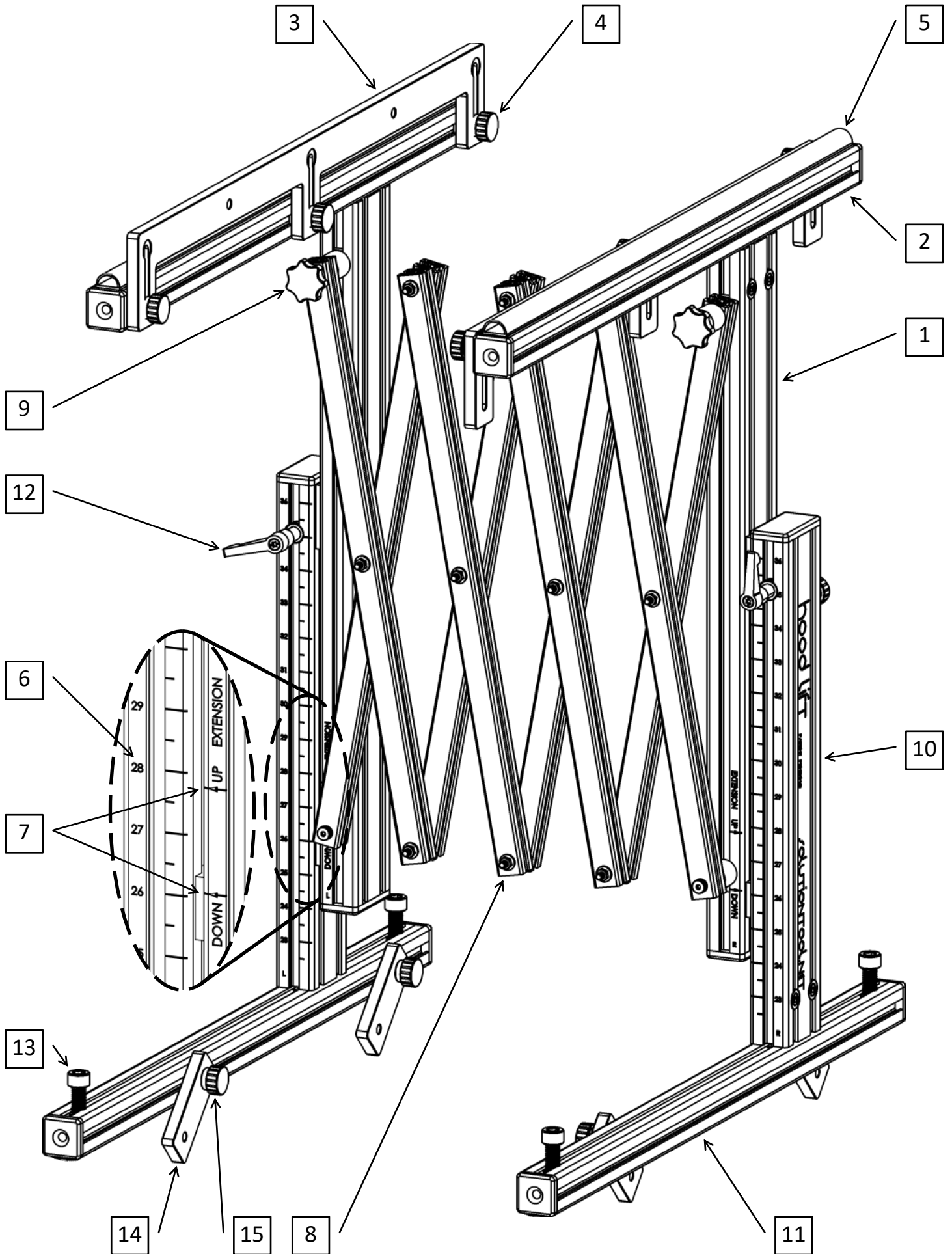
Thank you for your purchase of the hood lift!

This instruction manual will help you understand the mechanics of the Hood Lift to maximize its use when installing range hoods. Please read carefully and operate the Hood Lift safely. For more information, please contact us at [www.solutiontool.net](http://www.solutiontool.net)



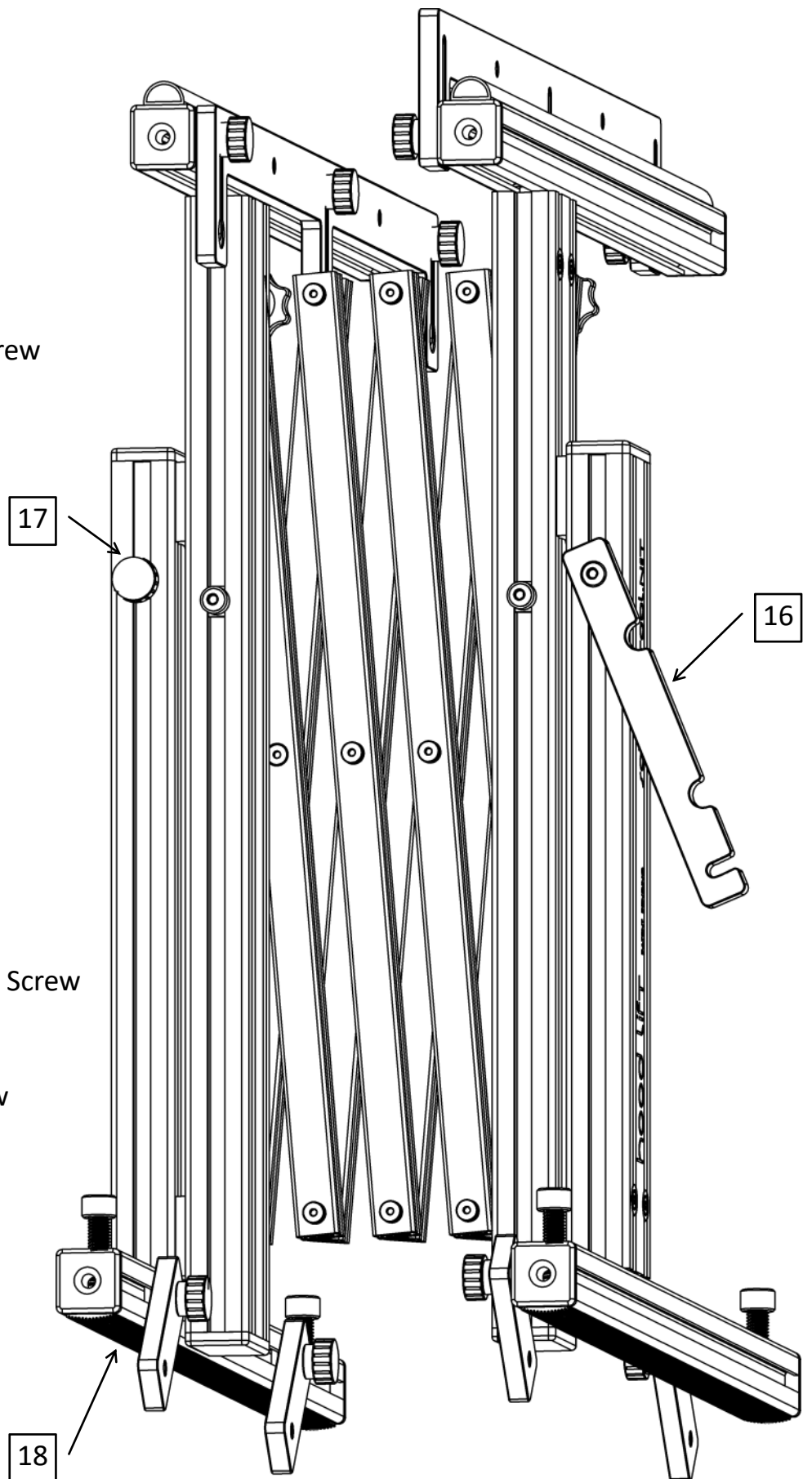
## Dimensional Specifications

	Width	Height	Depth
Collapsed	$7\frac{1}{8}$ "	$22\frac{3}{4}$ "	$23\frac{7}{8}$ "
Expanded	$68$ "	$34\frac{1}{4}$ "	$23\frac{7}{8}$ "
With Arm Extensions	$68$ "	$36$ "	$29$ "



**HOOD LIFT Components:**

1. Arm Frame
2. Arm
3. Arm Extension
4. Arm Extension Thumb Screw
5. Rubber Arm Grip
6. Scale
7. Scale Indicator
8. Scissor
9. Width Lock Knob
10. Leg Frame
11. Leg
12. Height Locking Lever
13. Leveling Feet
14. Centering Locator
15. Centering Locator Thumb Screw
16. Safety Strap
17. Safety Strap Thumb Screw
18. Rubber Leg Grip



## Safety Instructions

### Table of Contents

	Page
<b>Safety Instructions</b> .....	4
<b>Introduction</b> .....	4
<b>General Operating Instructions</b> .....	5
<b>Feature Operating Instructions</b> .....	6
Arm Extensions .....	6
Safety Strap.....	6
Height Locks.....	7
Height Scale / Indicators.....	7
Width Locks .....	7
Centering Locators .....	8
Leveling Feet.....	8
Storage Bag.....	8
<b>Hood Lift Maintenance Instructions</b> .....	8
<b>Hood Lift Warranty</b> .....	8

1. Ensure Hood Lift is not load bearing when unlocking Height Locks; weight being supported will instantly be subject to gravity when released. Failure to operate correctly may cause property damage or physical injury.
2. For your safety, never exceed the 200 lbs. weight limit of the Hood Lift.
3. For your safety, set up the Hood Lift so the arms and legs are level front to back and side to side.
4. Keep Hood Lift legs on sturdy surfaces and utilize the centering locators.
5. Keep body parts and clothing out of pinch points and moving mechanisms of scissor, arms, and legs.
6. Use extreme caution when using the Hood Lift around electricity.
7. Wear safety goggles and hard hat when operating underneath the lifted hood.
8. Inspect Hood Lift before each use. Remove unit from service immediately if any components are damaged or missing. Contact us for parts or service via website, email, or phone call.

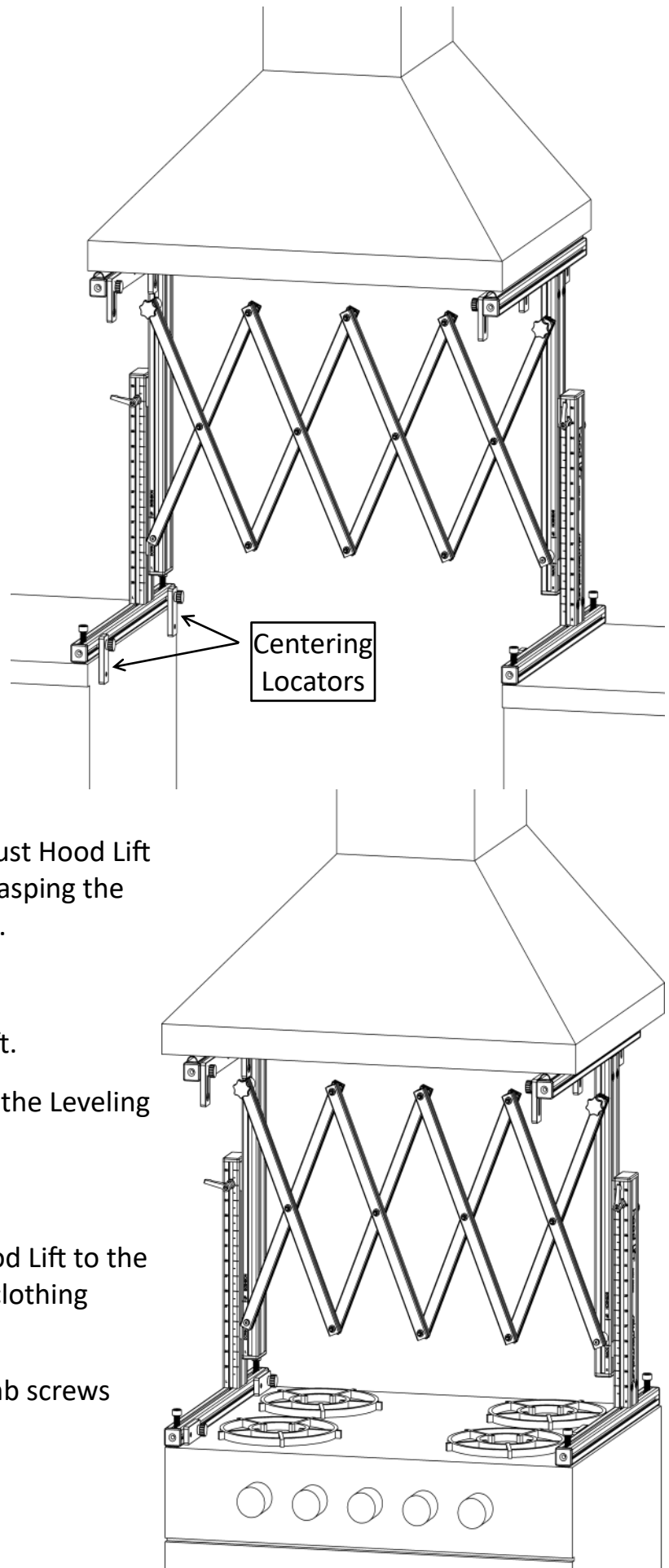
### Introduction

**Hood Lift** - Expandable and collapsible apparatus comprised of three elements:

1. **Legs** - Lower support structure that is placed on countertop or range top.
2. **Arms** - Upper support structure for the hood that is vertically extendable.
3. **Scissor** - Keeps Legs and Arms parallel while allowing them to horizontally expand and contract, enabling the unit to accommodate any width range and hood.

## Operating Instructions

1. Place Hood Lift on flat surface.
2. If the installed hood height will be greater than 34¼ inches, or depth greater than 24 inches, deploy Arm Extensions (page 6).
3. Unlock Safety Strap (page 6).
4. Loosen Height Locks (page 7).
5. Adjust to correct height for hood and tighten both Height Locks (page 7).
6. Loosen Width Locks (page 7).
7. Expand Hood Lift until legs straddle range opening and are completely supported by countertop adjacent to range opening.
8. If range is installed, skip to "10".
9. Deploy Centering Locators and re-adjust Hood Lift so Legs and Centering Locators are grasping the range opening edge securely (page 8).
10. Tighten both Width Locks (page 7).
11. Place the hood on top of the Hood Lift.
12. Make minor height adjustments with the Leveling Feet (page 8).
13. Perform hood installation.
14. Reverse these steps to return the Hood Lift to the storage position, keeping hands and clothing away from any moving parts.
15. Make sure all levers, knobs, and thumb screws are secure.



## Feature Operating Instructions

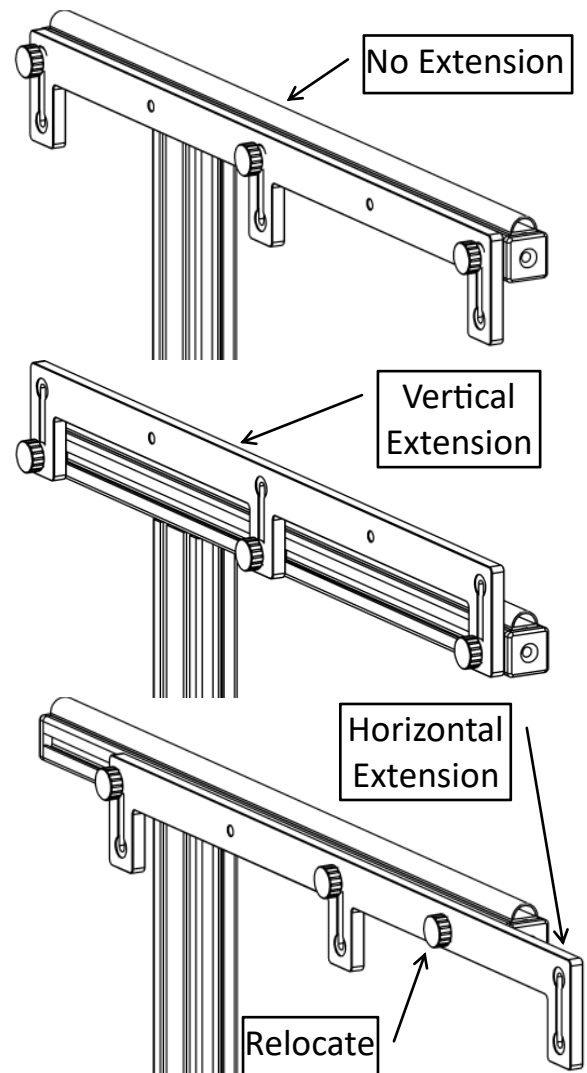
**Arm Extensions** - Located on the inside of arms, the Arm Extensions provide an extra 1¾ inch of vertical (height) or 5 inches of horizontal (depth) extension for supporting the hood.

**Vertical Arm Extension** - (allows Hood Lift to reach a height of 36 inches).

1. Loosen the three thumb screws on each arm.
2. Lift Arm Extension to the limit of the thumb screw slots.
3. Tighten each thumb screws into the dimple at the end of each slot.  
\*\*\*Note... load bearing depends on the thumb screw / dimple alignment.
4. Reverse steps to retract Arm Extensions.

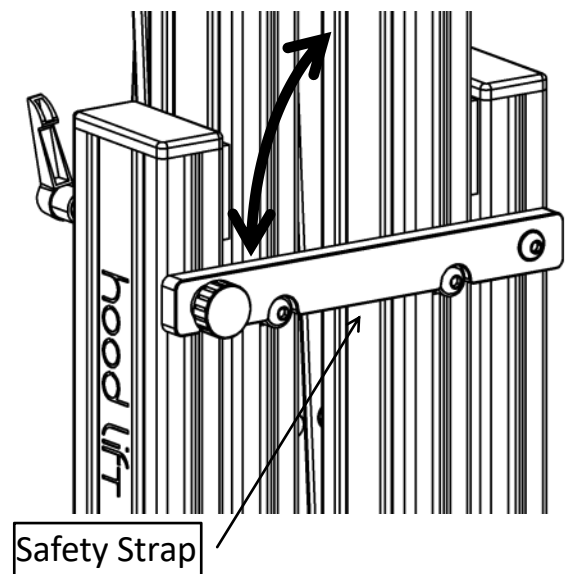
**Horizontal Arm Extension** - (allows Hood Lift to support a depth of 29 inches).

1. Loosen the three thumb screws on each arm, completely removing the front thumb screw.
2. Slide Arm Extension forward until the spare hole aligns with the t-nut of the removed thumb screw.
3. Insert thumb screw into spare hole and thread into t-nut.
4. Slide Arm Extension rearward matching extension to what is needed for the hood installation; tighten thumb screws.
5. Reverse steps to retract Arm Extensions.



**Safety Strap** - Located at the middle back of the Hood Lift, the Safety Strap secures the unit in its fully retracted / collapsed storage position.

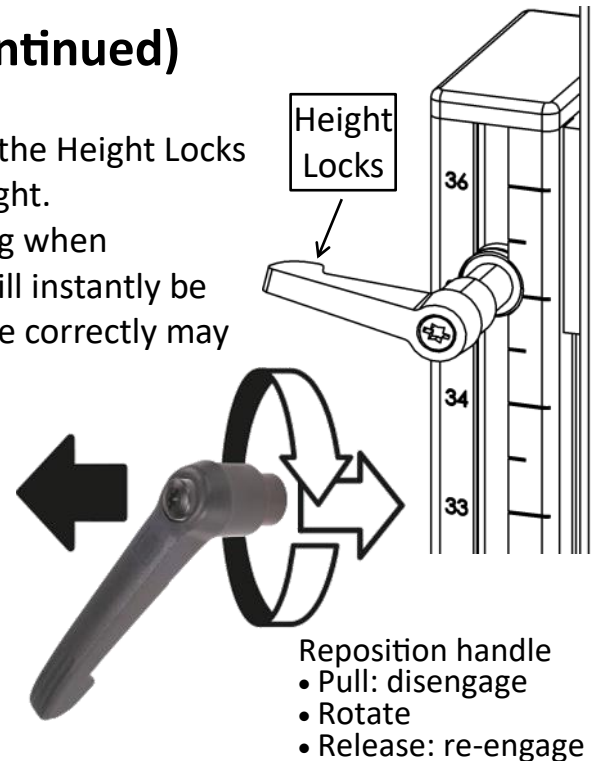
1. **Unlocking Safety Strap** - Loosen the thumb screw, rotate safety strap ⤵ clockwise until the safety strap hangs vertically in the 6 o'clock position.
2. **Locking Safety Strap** - Return the Hood Lift to its fully retracted / collapsed storage position, rotate the safety strap ⤴ counterclockwise onto the loosened thumb screw, tighten the thumb screw to secure the safety strap (the thumb screw can be moved vertically in its t-slot).



## Feature Operating Instructions (continued)

**Height Locks** - Located on the front of both leg frames, the Height Locks (black levers) are used to fix the unit at a desired height.

1. **\*\*\*Caution\*\*\*** Ensure Hood Lift is not load bearing when unlocking Height Locks; weight being supported will instantly be subject to gravity when released. Failure to operate correctly may cause property damage or physical injury.
2. If the Height Lock (black lever) is in an awkward position or interferes with the scissor, the handle can be repositioned.
3. Unlocking Height Locks - Rotate the height lock lever  $\frac{1}{2}$  turn  $\curvearrowright$  counterclockwise.
4. Locking Height Locks - Rotate the height lock  $\curvearrowleft$  clockwise until the frame is secure and height locks are tight.

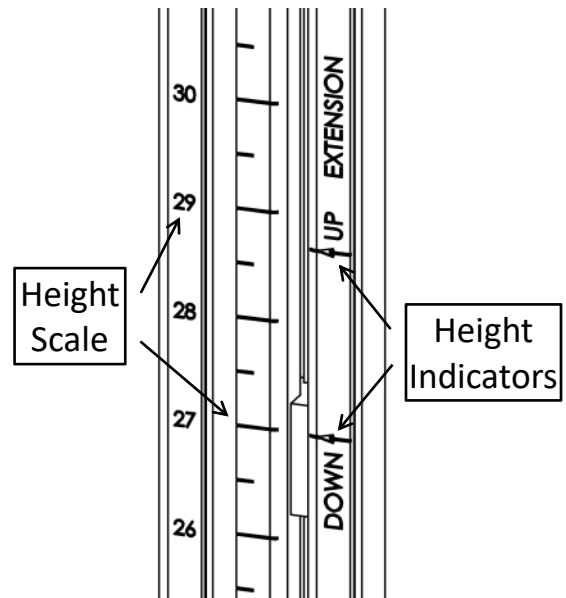


**Height Scale** (ruler) - Located on the front face of both vertical Leg Frames.

**Height Indicators** (arrows) - Located on the front face of both vertical Arm Frames.

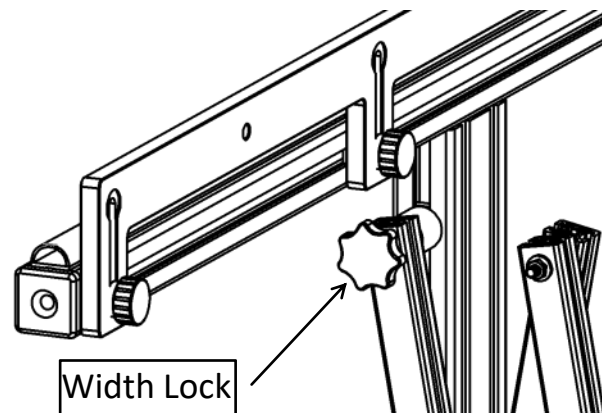
The Height Scale and Height Indicator identify the current overall height of the Hood Lift.

1. Each Height Indicator has two arrows, one labeled "EXTENSION UP", the other "DOWN".
2. When the "Arm Extensions" are in use (see page 6 Vertical Arm Extension), the arrow labeled "EXTENSION UP" points to the scale indicating the current overall height.
3. When the "Arm Extensions" are not in use, the arrow labeled "DOWN" points to the scale indicating the current overall height.



**Width Locks** - Located on the top front of the scissor (directly under arms), the Width Lock knobs are used to fix the unit at a desired width.

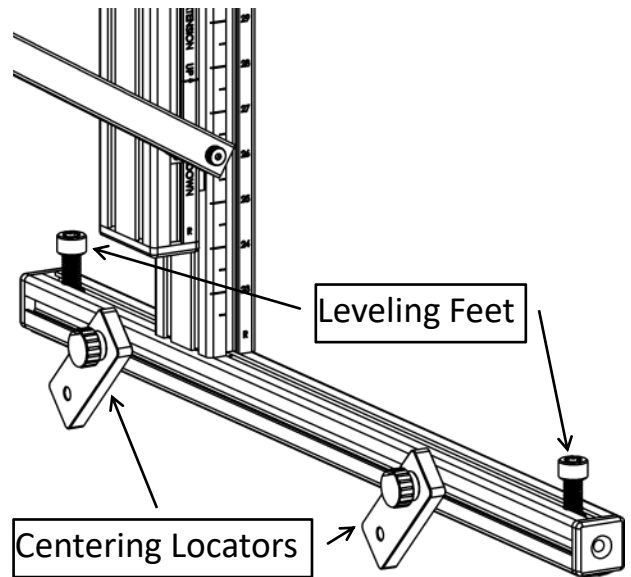
1. Unlocking Width Locks - Rotate the width lock knobs  $\frac{1}{2}$  turn  $\curvearrowright$  counterclockwise.
2. Locking Width Locks - Rotate the width lock knobs  $\curvearrowleft$  clockwise until the scissor mechanism is secure and width locks are tight.



## Feature Operating Instructions (continued)

**Centering Locators** - Located on the inside face of legs, the thumb screw mounted Centering Locator blocks are used when range is not present. They allow operator to secure unit on the countertop at the center of the range opening.

1. With unit placed on counter straddling range opening, loosen Centering Locator thumb screws allowing the Centering Locators to rotate vertically into the range opening; tighten the thumb screws to secure the Centering Locators in place.
2. Centering Locators are t-slot mounted allowing them to be repositioned, as needed.
3. When storing, ensure Centering Locators are positioned to clear the Vertical Arm Frames and are rotated horizontal / parallel to the leg.



**Leveling Feet** - Located at each leg end; the plastic Leveling Feet screws provide  $\frac{5}{8}$  inch leveling adjustment to any corner of the lift for precise hood placement.

1. Turn Leveling Feet ⤴ clockwise to raise the Hood Lift.
2. Turn Leveling Feet ⤵ counterclockwise to lower the Hood Lift.

**Storage Bag** - (Optional)

1. Bag ends are equipped with a unique magnetic clasp. Open bag by pulling sides apart separating the magnets. This will allow Hood Lift to be placed inside the bag with ease.
2. Bag has two sets of handles, one of which will always provide a balanced lifting point.
3. Bag is free standing for ease of use.

## Hood Lift Maintenance Instructions

1. To ensure smooth operation, lightly lubricate scissor pivots.
2. Keep rubber arms and leg grips free from lubricants and debris.
3. Keep all levers, knobs, and thumbs screws free of dirt and other contaminants.

## Hood Lift Warranty Terms and Conditions

1. Hood Lift warrants this product against defects in material or workmanship for one year from the date of delivery. Hood Lift will cover labor and standard freight costs for warranty service for a period of ninety days from the date of delivery.
2. Hood Lift's sole obligation under said warranty is to repair or, at its option, replace the defective part(s). The buyer shall have no other remedy. All special, incidental, and consequential damages are excluded.